

Figure 2. The digital DC voltmeter circuit

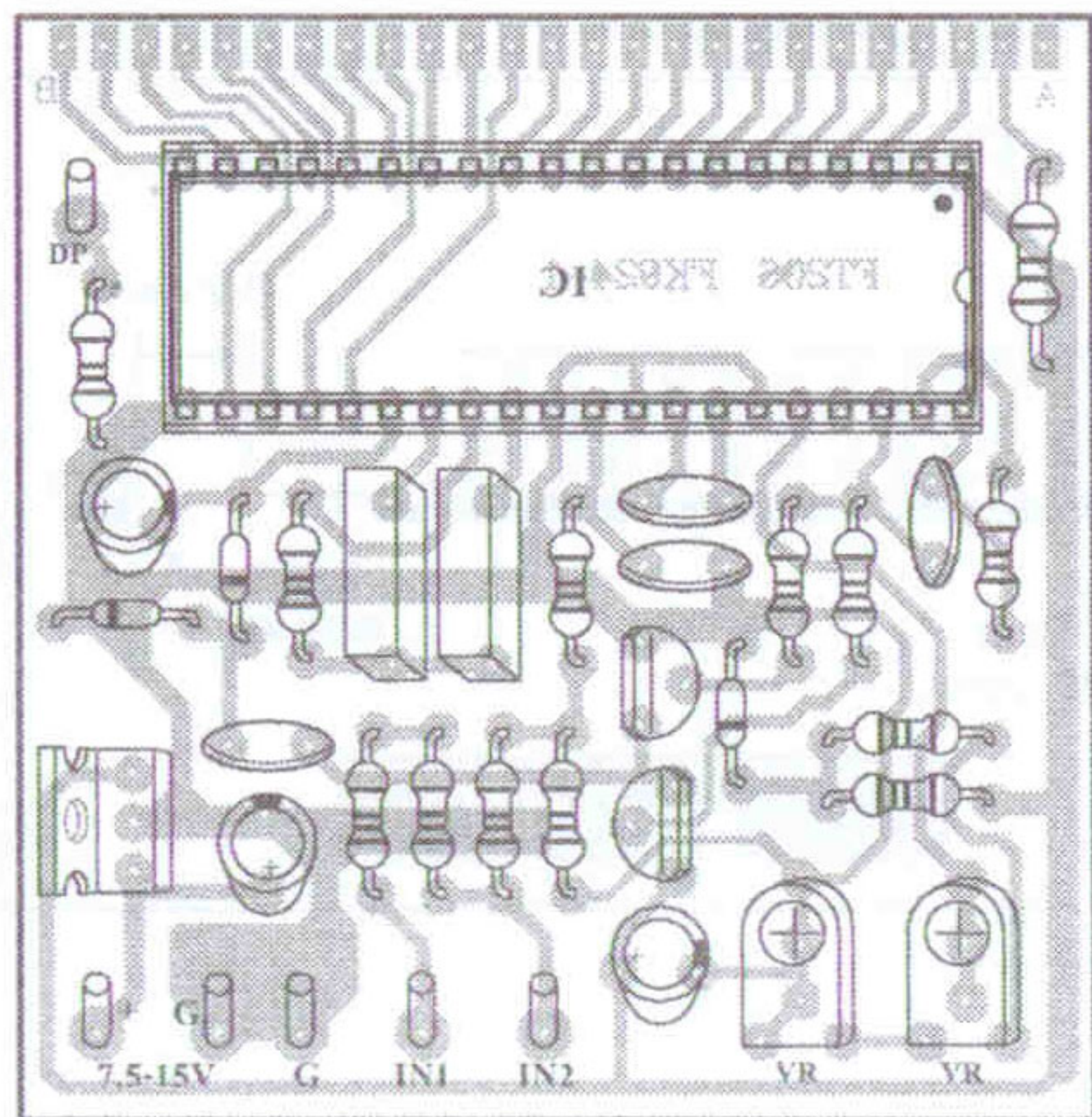
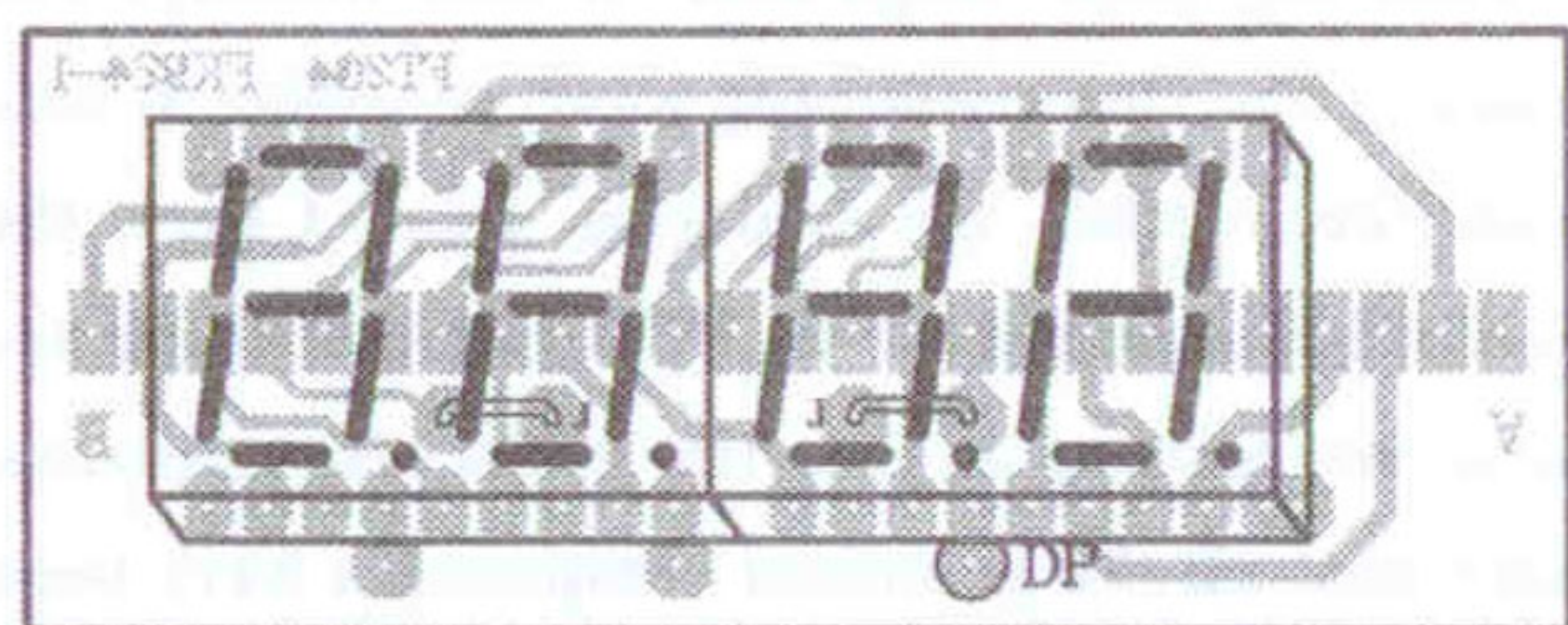
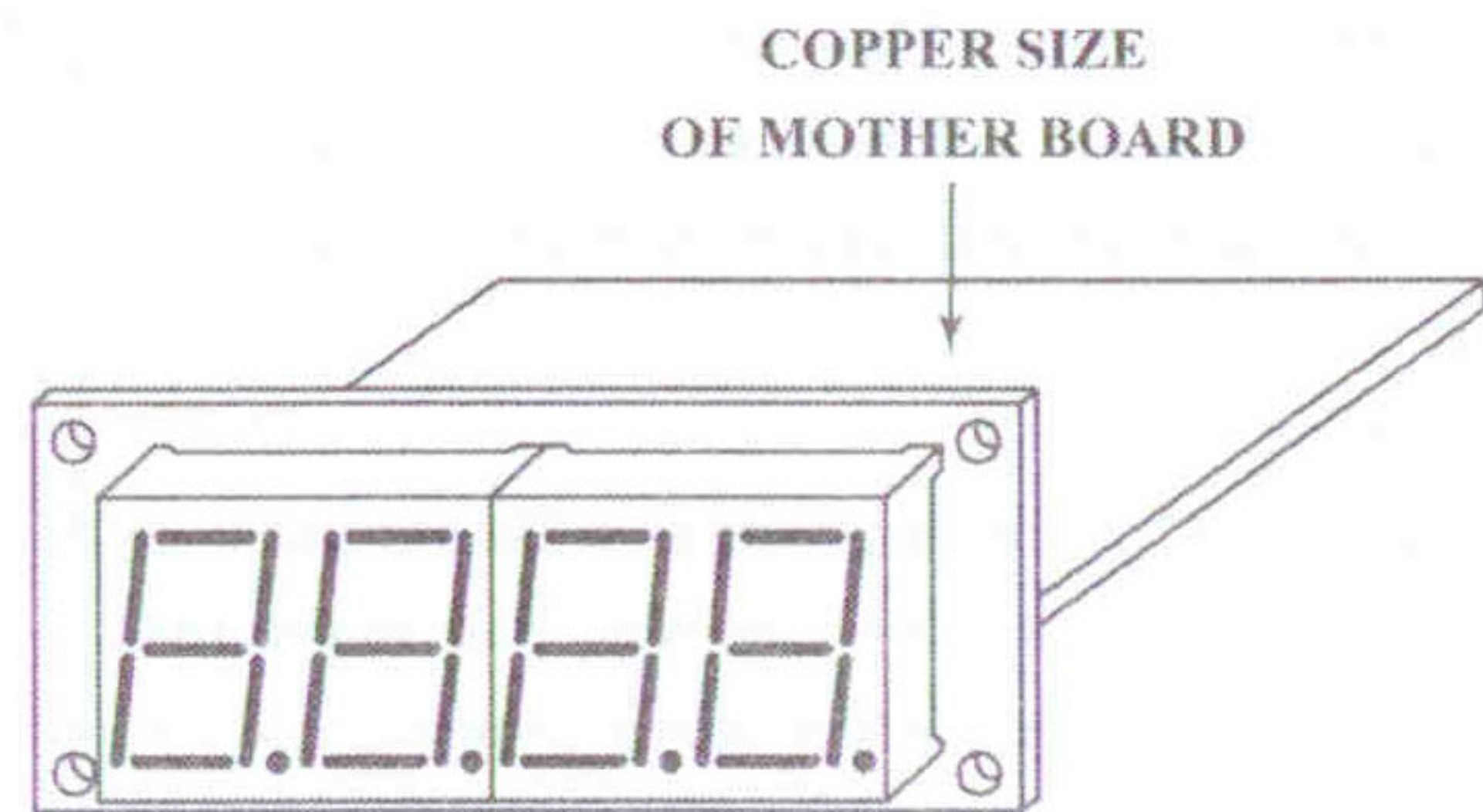
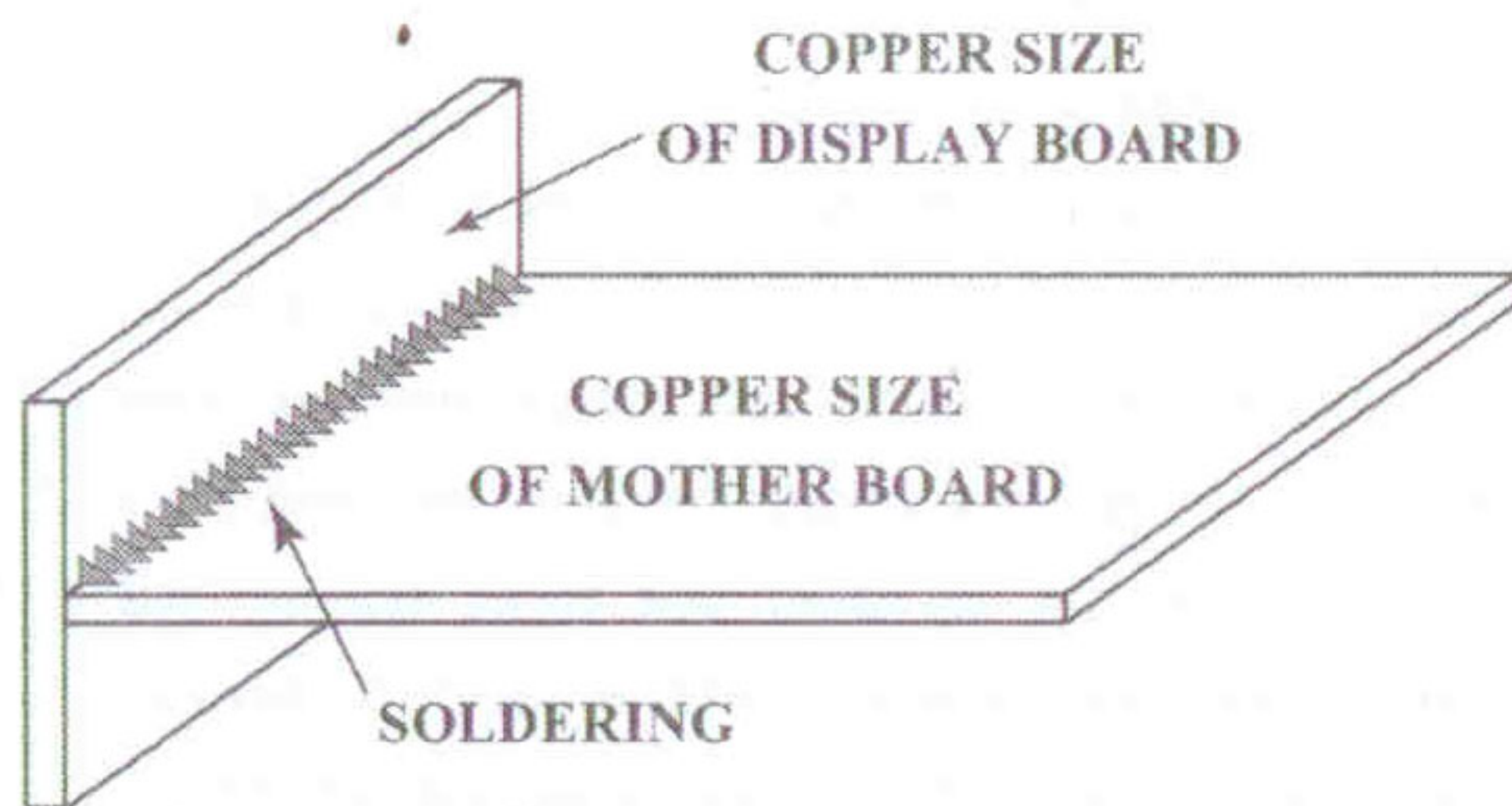


Figure 3. Connections FK924-1



NOTE: FUTURE BOX FB06 is suitable for this kit.