

Figure 2.
The video amplifier 1 to 4 CH circuit

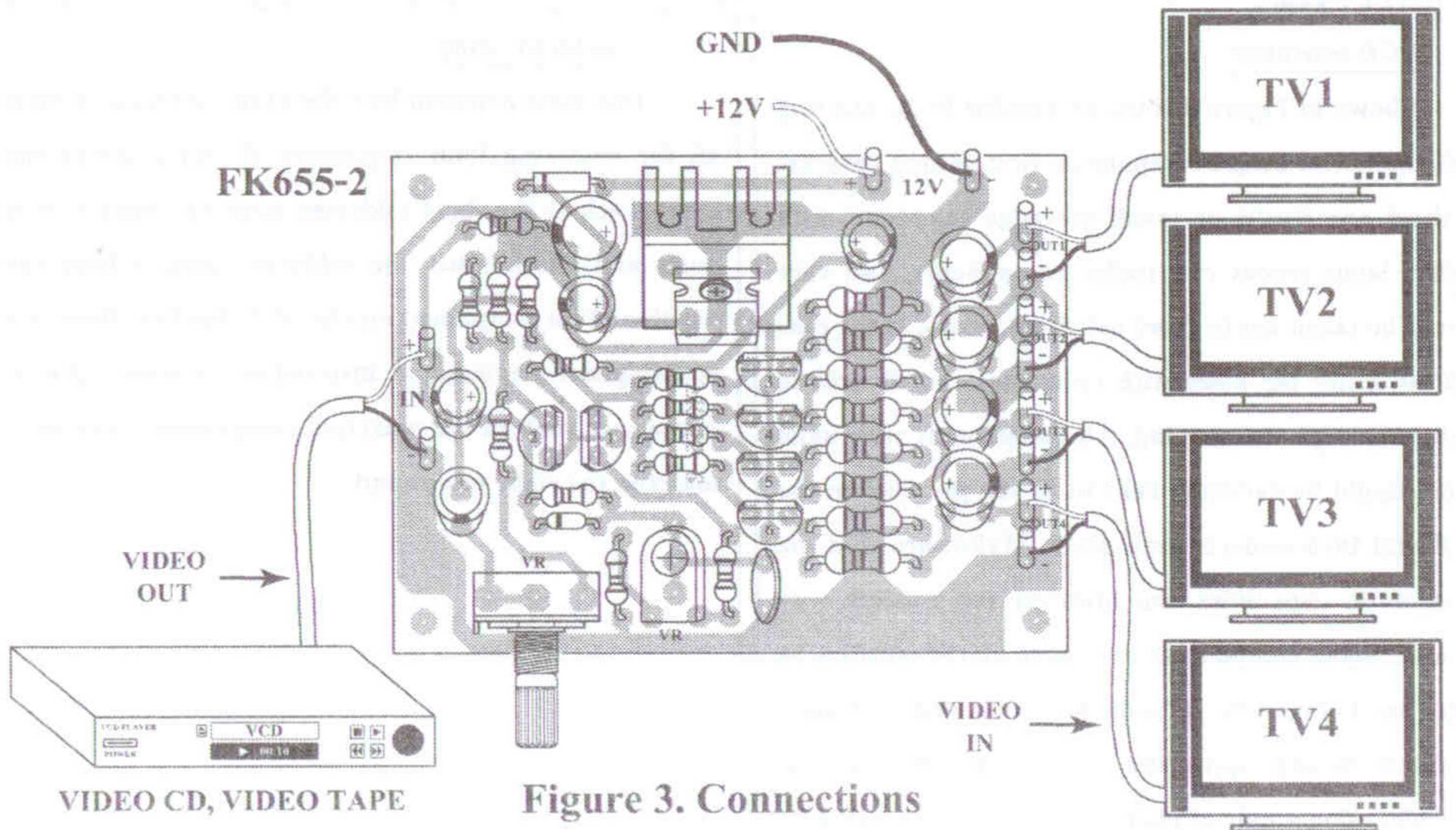


Figure 3. Connections