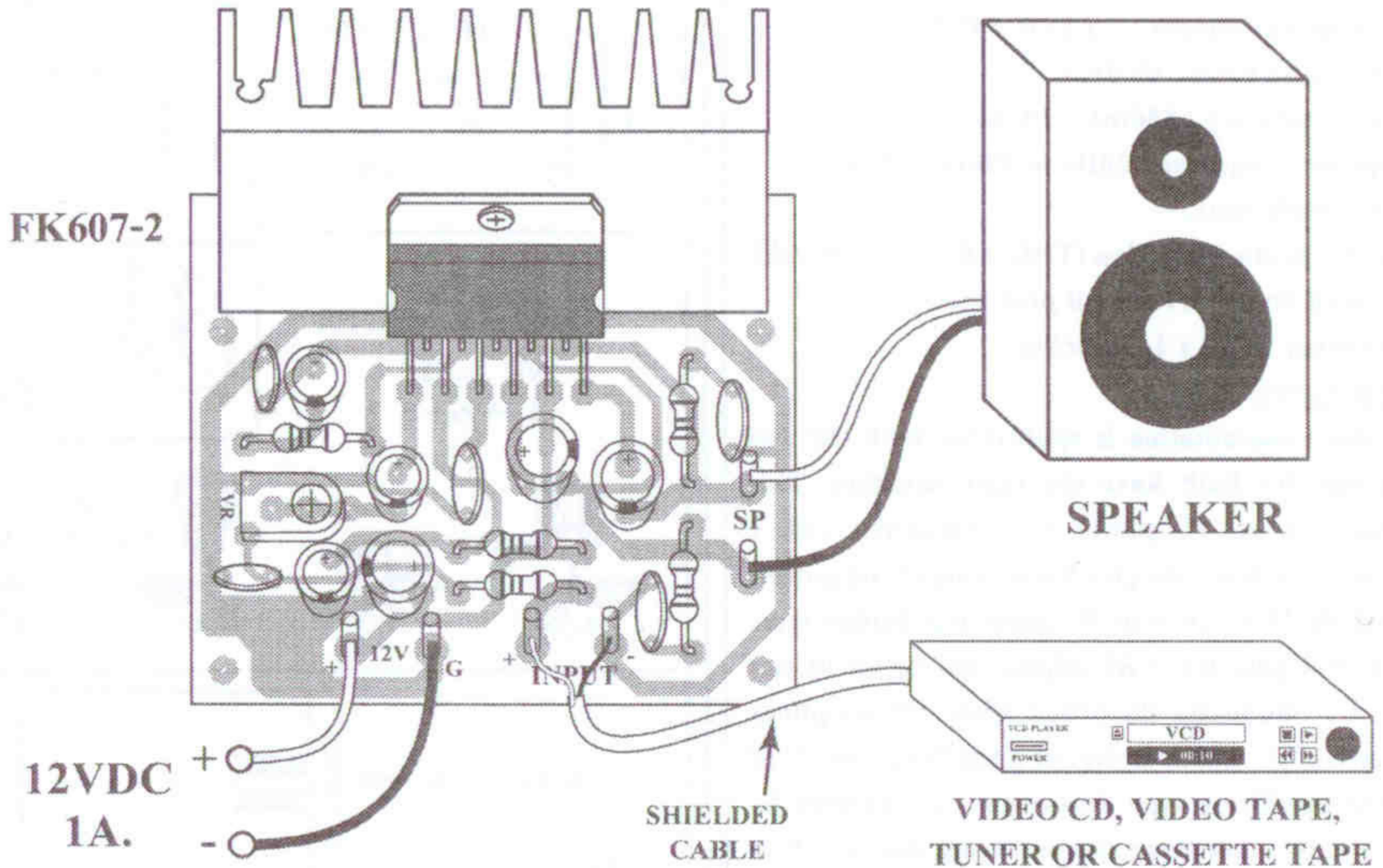
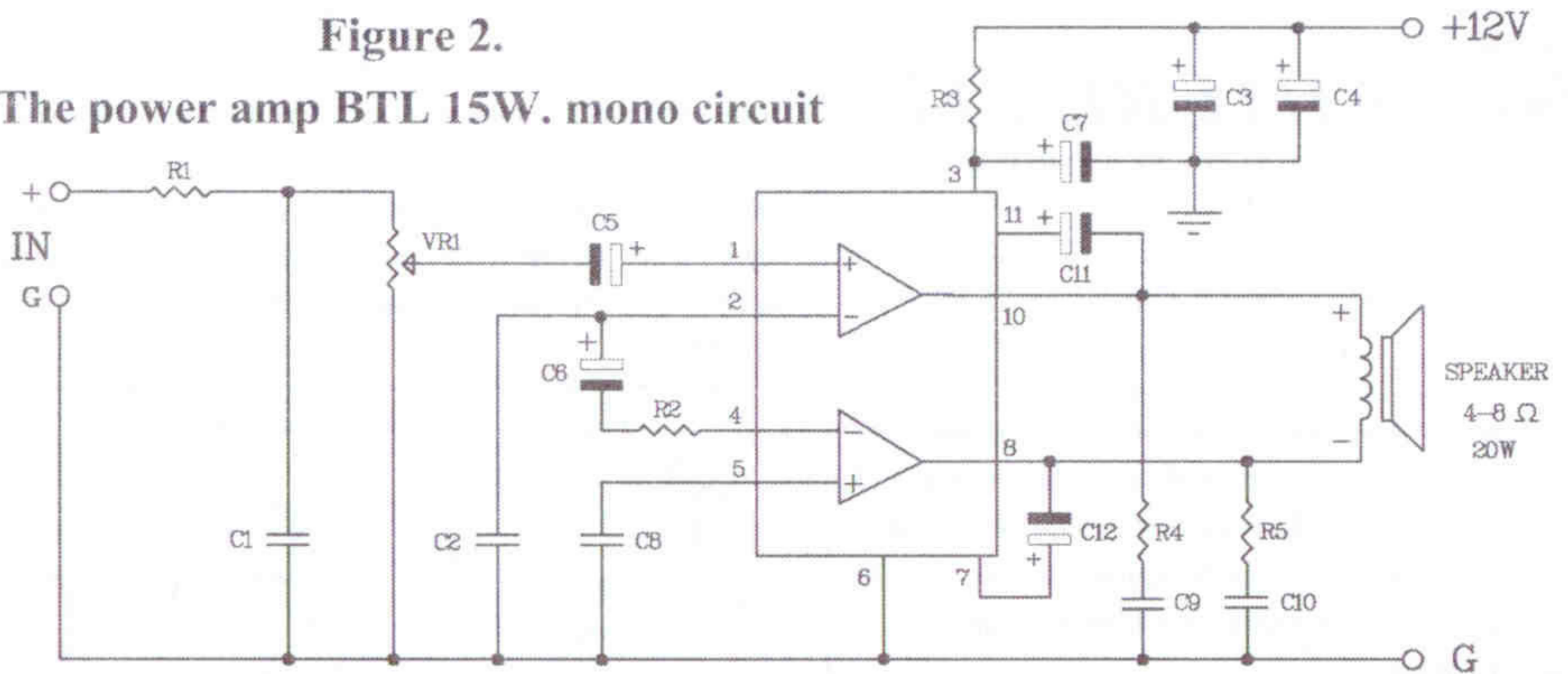


**Figure 2.**

**The power amp BTL 15W. mono circuit**



**Figure 3. Connections**

**NEW KIT SET**

CODE FK	DESCRIPTION	POWER
167	FIREFLY LIGHT (NIGHT ACTIVATE)	3VDC
275	THREE TRAIN SOUNDS IC DIGITAL	3VDC
276	OWL VOICE IC DIGITAL	3VDC
326	DUAL STATION INTERCOM&DOOR BELL WITH 2 SPEAKER	6-12VDC
436	UHF REMOTE CONTROL 1 CH.	TX. 9VDC RX. 12VDC
673	MINI POWER AMP 1+1W. STEREO	3-12VDC