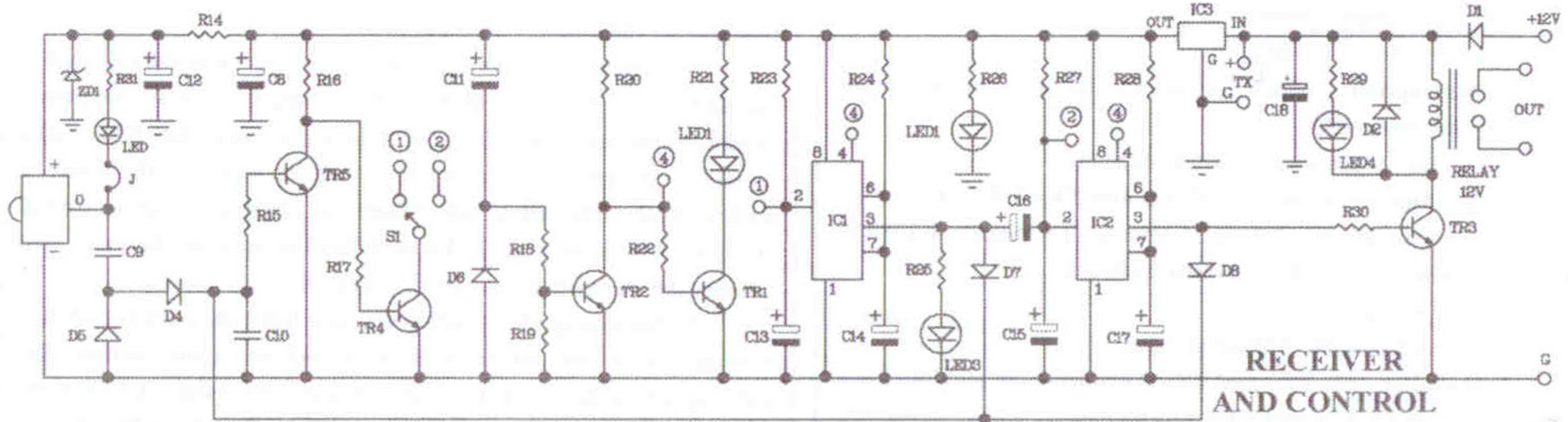


Figure 2.

The infrared burglar alarm circuit

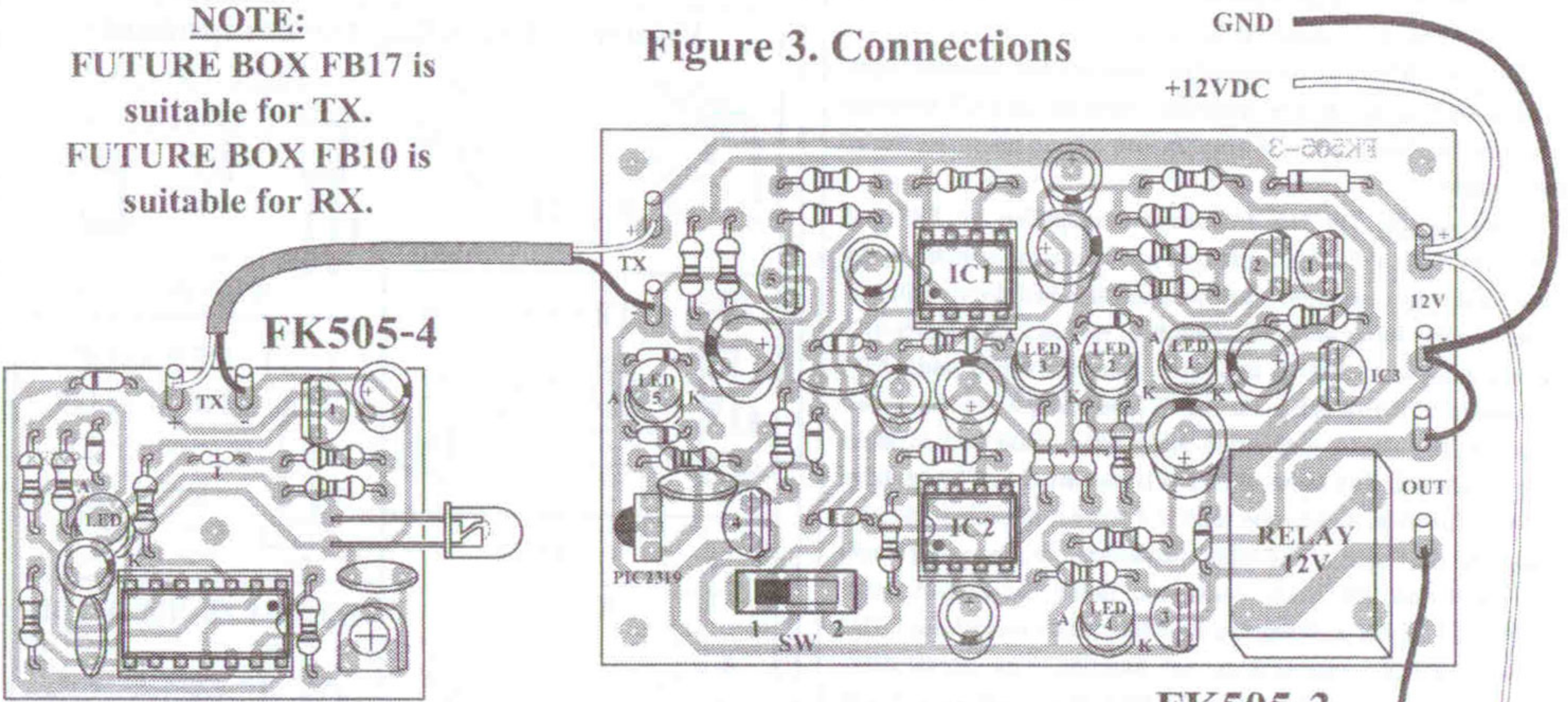
TRANSMITTER



RECEIVER AND CONTROL

NOTE:
FUTURE BOX FB17 is
suitable for TX.
FUTURE BOX FB10 is
suitable for RX.

Figure 3. Connections



** Supposing the switch is at 1 position, when the infrared is blocked, LED3 will light. There is 30 seconds to turn off the switch before the connected warning alarm device will function. If the value of IC1 is increased, the delay time will be more. If the value is decreased, the time will be less. When the switch does not be turned off, after the delay time LED4 will light as well as the relay will connect the warning alarm circuit to function.

** Supposing the switch is at 2 position, when the infrared is blocked LED4 will immediately light and the relay connect the warning alarm device in a minute. Increase the value of C18 to let the alarm working longer and decrease to let the alarm functioning shorter. This position is suitable for a warehouse.

