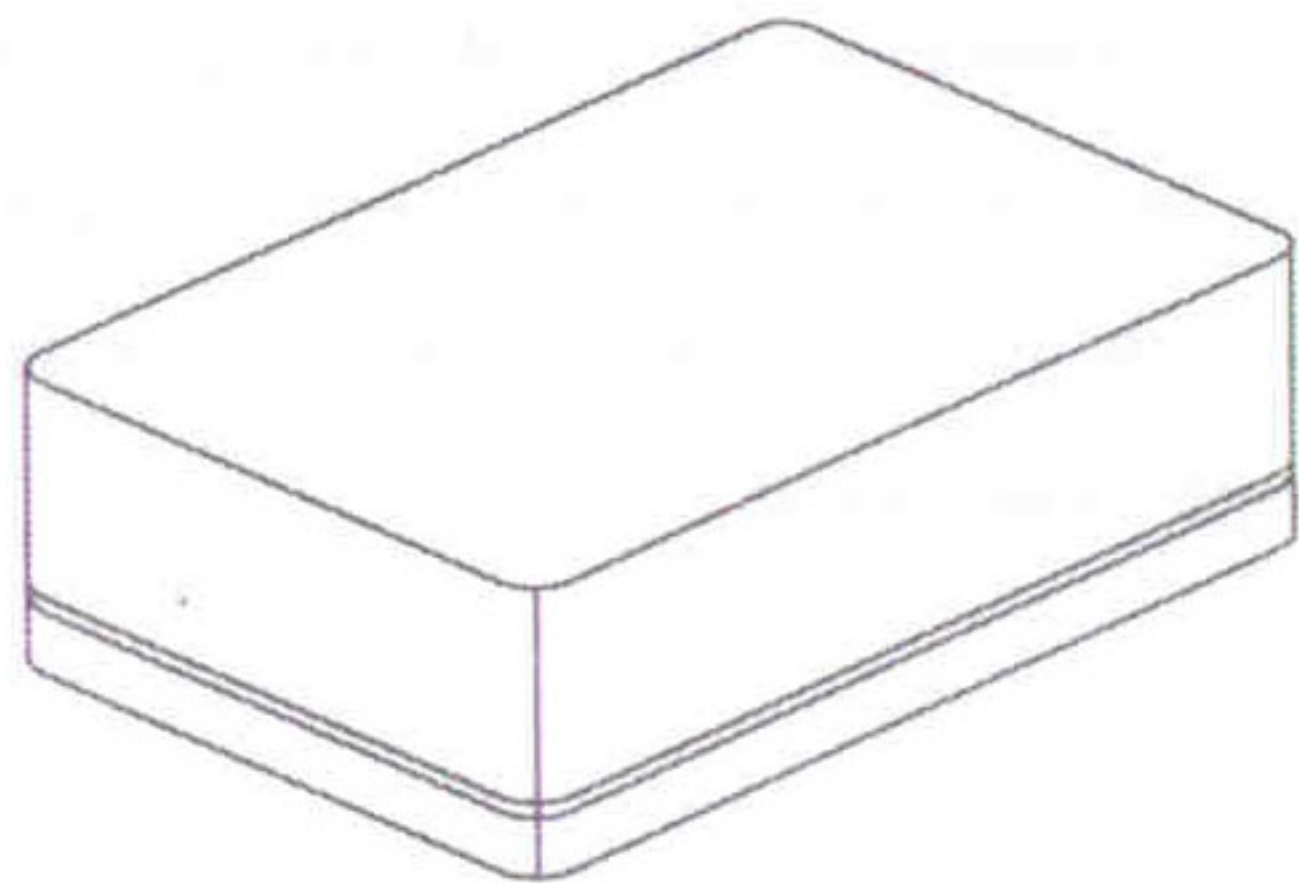
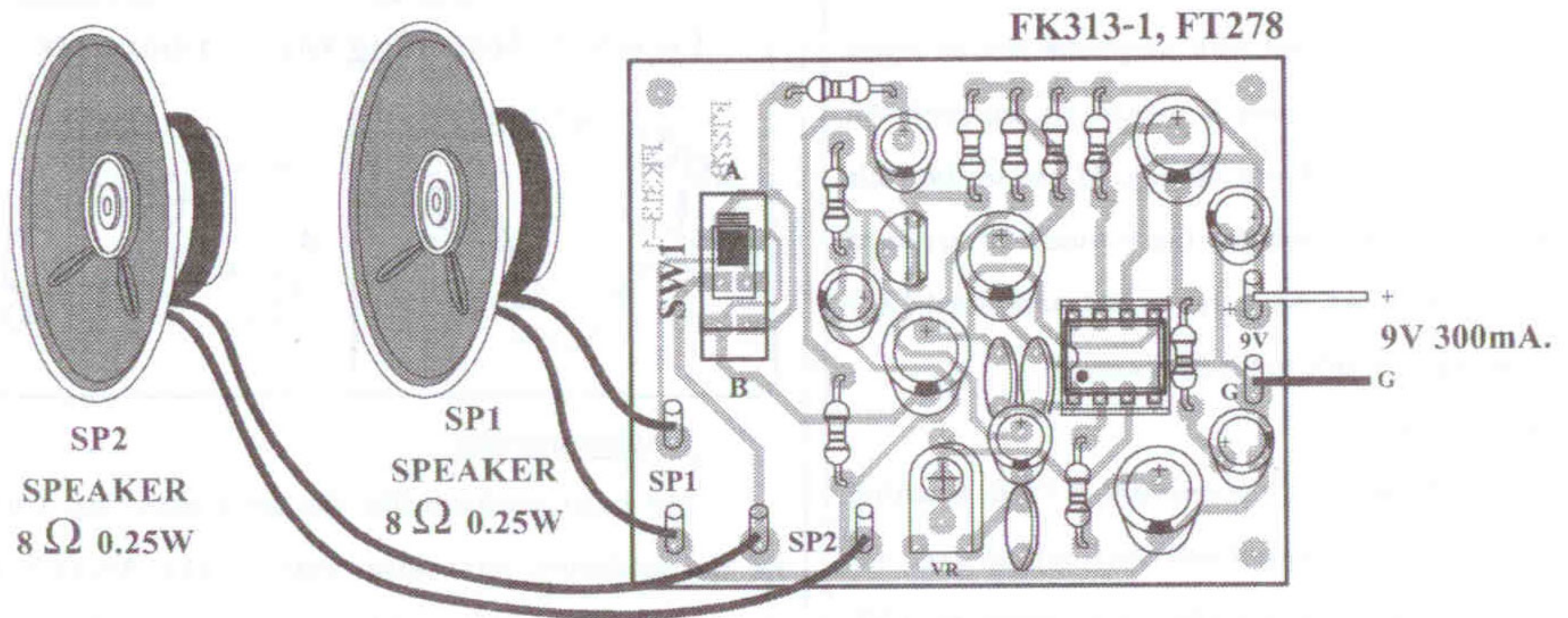


Figure 2. The dual station intercom circuit

Figure 3. Connections



**NOTE:**

FUTURE BOX FB04 is suitable for this kit.

NEW KIT SET

CODE FK	DESCRIPTION	POWER
156	MINI TRAFFIC LIGHT 3 LED	9-12VDC
157	TWO WAY CHASING LIGHT TWO COLOUR 10 LED	9-12VDC
158	STROBOSCOPE 220V	220VAC
159	SHAKING DICE	9-12VDC
160	RANDOM NUMBER GAME 1 DIGIT	9-12VDC
273	MUSIC DOOR (WITH MAGNATIC SWITCH)	3VDC
274	MINI ORGAN 13 TONE (WITH MAGNATIC SWITCH)	9VDC
325	RINGING SIGNAL LIGHT 5 LED	NONE
672	MINI MEGAPHONE (WITH SPEAKER)	4.5-12VDC