

Figure 2. The telephone recording adaptor circuit

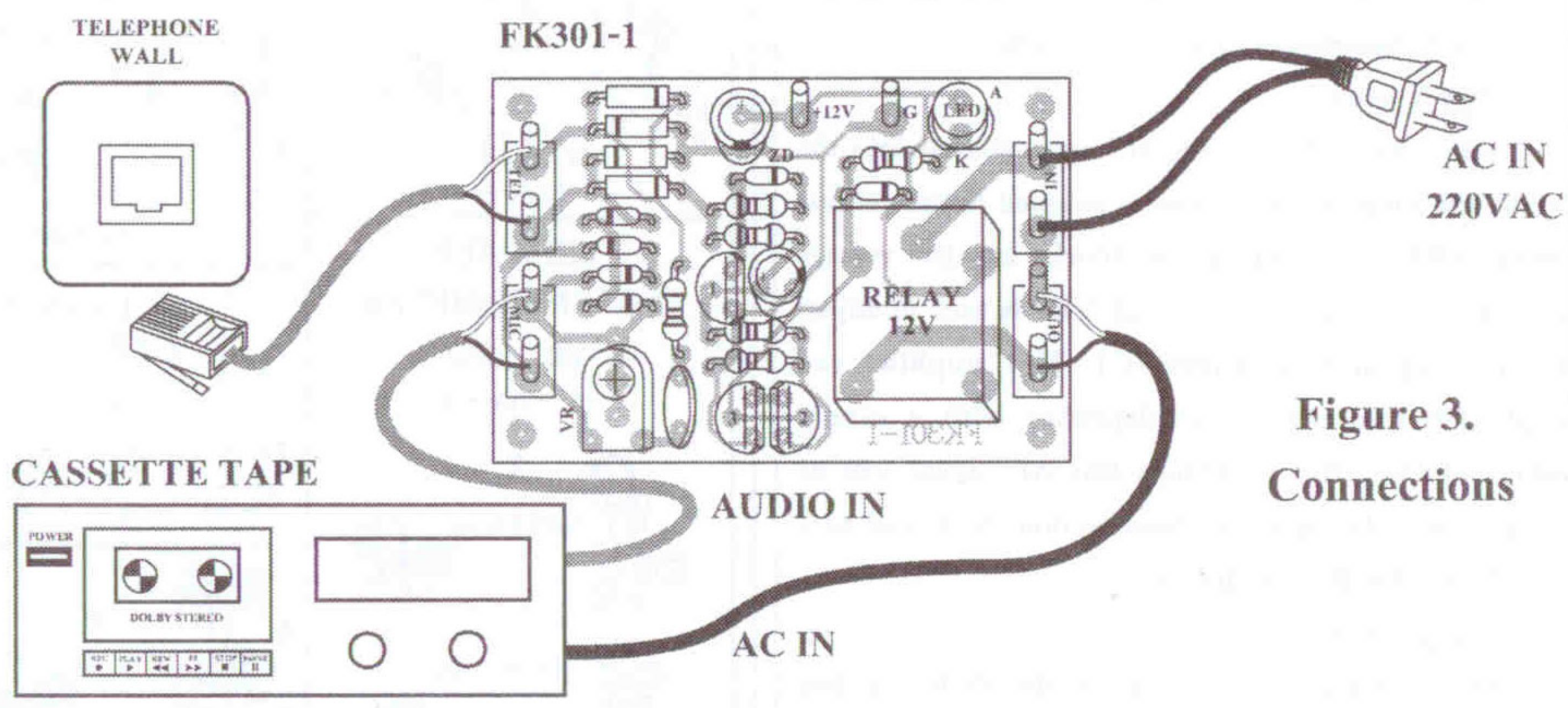
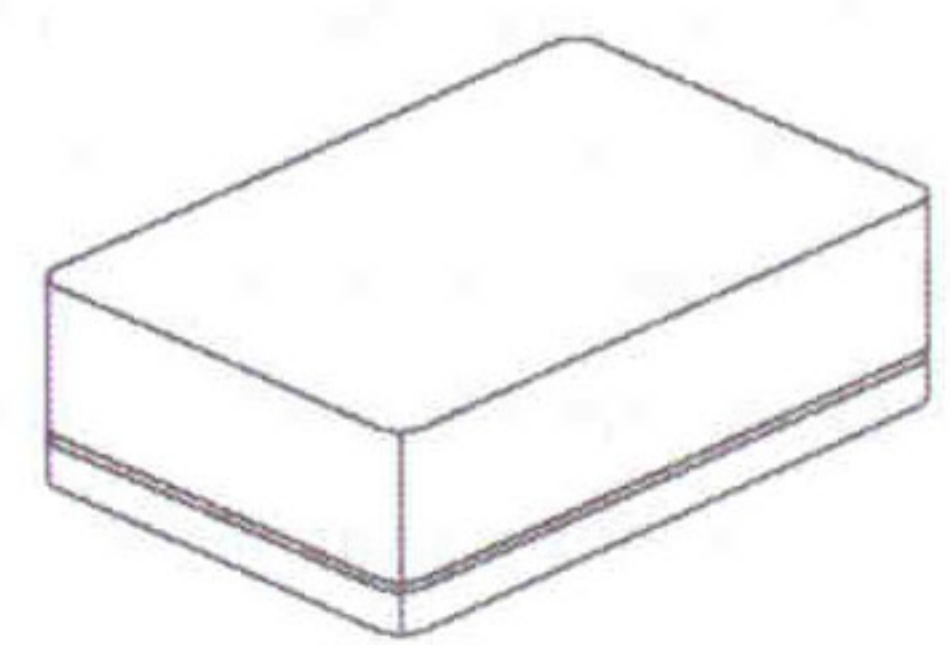
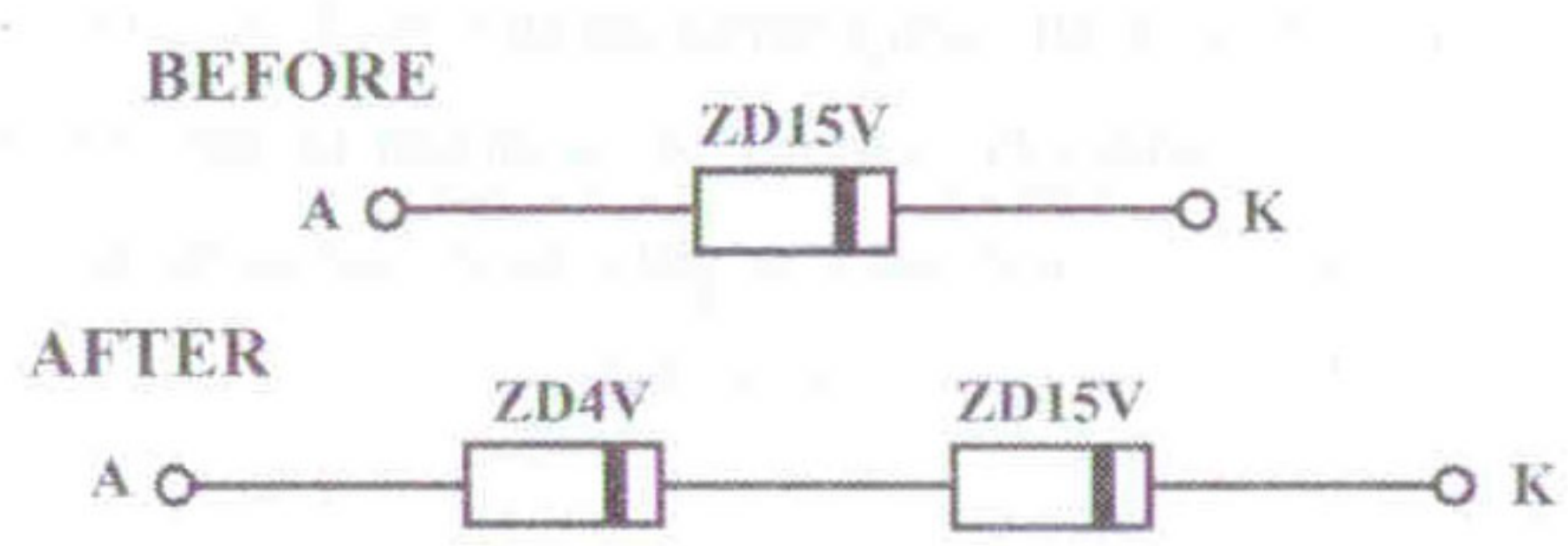


Figure 3. Connections

In case of there is voltage across telephone circuit for over 14 volts, connecting zener diode 4 volts by series type with zener diode 15 volts as per below figure and replacing for zener diode 15 volts.

ZENER SERIES REPLACING FOR ZENER 15 VOLTS.



NOTE:
FUTURE BOX FB03 is suitable for this kit.