

# SPECIFICATION

## CUSTOMER LINE

HANDLING	CHECK	APPROVAL	CONFIRMATION
<b>DATE:</b>			

PLEASE SIGN AND RETURN ONE COPY.

With your signature, you confirm all the details in this specification, and the products will be made according to below description.

REMARKS: \_\_\_\_\_

CUSTOMER \_\_\_\_\_

ITEM NUMBER \_\_\_\_\_

USB-C Charger

PRODUCT \_\_\_\_\_

KYTD45W01A

KYT827 45W

DESIGNED NO \_\_\_\_\_ MODEL NO \_\_\_\_\_

001

VERSION \_\_\_\_\_ MODEL NUMBER \_\_\_\_\_

## SPEC. Revision History

Item.	Revision Date	Revision Content	Effective Date	Arbiter	Revisor
1	2022.3.24	F	2022.3.24		ZHEN

MODEL NO. :	KYTD45W01A	Approve	Check	Preparation
DESIGNED NO. :	KYT827 45W			
Date :	2022.3.24			

# Index

<b>1. Description</b> .....	<b>4</b>
<b>2. Electrical Specification</b> .....	<b>4</b>
<b>3. Protection</b> .....	<b>5</b>
<b>4. Reliability</b> .....	<b>5</b>
<b>5. Environment</b> .....	<b>5</b>
<b>6. Safety and EMI Requirement</b> .....	<b>7</b>
<b>7. Test Equipment List</b> .....	<b>8</b>
<b>8. Mechanical Requirement</b> .....	<b>8</b>
<b>9. label</b> .....	<b>10</b>
<b>10. Package Drawing</b> .....	<b>11</b>

MODEL NO.:

KYTD45W01A

DESIGNED NO.:

KYT827 45W

## 6. Description

This specification apply to the Switching power whose model No. is KYTD45W01A , which has a high efficiency and reliability, and have the over voltage, over current and short circuit function.

## 7. Electrical Specification

### 2.1 INPUT SPECIFICATION

Input voltage range	90Vac - 264Vac
Rated voltage	100Vac / 240Vac
Input frequency range	47Hz - 63Hz
Rated input frequency	50Hz / 60Hz
No Load Input Power	0.1W max. @ no loading, rated voltage
Inrush current	50A type peak @ 220Vac Input, cold start

### 2.2 OUTPUT SPECIFICATION

#### 2.2.1 Rated Output

Rated Output Voltage (Vdc)	Output Voltage Range (Vdc)	Output Ripple &Noise (mV)	Rated Output Current
5.0	4.75-5.25	≤200	3.0A
9.0	8.55-9.45	≤200	3.0A
12.0	14.25-15.75	≤200	3.0A
15.0	19.0-21.0	≤200	2.25A
3.3-11	4.2-11.5	≤200	4.05A
3.6-16	4.2-16.8	≤200	2.8A
3.3-21	4.2-22.05	≤200	2.1A

**Notes:** The test condition as with oscilloscope with bandwidth 20MHz . A 10uF E-cap and 0.1uF ceramic-cap shall be connected to the connector in parallel.

#### 2.2.2 Output Overshoot At Turn On & Turn Off

Rated Output Voltage (Vdc)	Proportion of the output voltage overshoot	
	Turn on	Turn off
5.0	10%	10%
9.0	10%	10%
12.0	10%	10%
15.0	10%	10%
3.3-11	10%	10%
3.6-16	10%	10%
3.3-21	10%	10%

**Note:** The test condition as : All of output Current from Min to Max

MODEL NO.:	KYTD45W01A	DESIGNED NO.:	KYT827 45W
------------	------------	---------------	------------

### 2. 2. 3 Combined Load / Line Regulation

Rated Output Voltage (Vdc)	Min. Loading	Rated. Loading	Line Regulation	Load Regulation
5.0	0A	3.0A	±3%	±5%
9.0	0A	3.0A	±3%	±5%
15.0	0A	3.0A	±3%	±5%
20.0	0A	3.0A	±3%	±5%
3.3-11	0A	3.0A	±3%	±5%
3.3-16	0A	3.0A	±3%	±5%
3.3-21	0A	3.0A	±3%	±5%

MODEL NO.:

KYTD45W01A

DESIGNED NO.:

KYTD45W01A

#### 2.2.4 Turn on delay time:

3 Second Max. at 115Vac input and output Max. load.

#### 2.2.5 Rise time:

40mS Max. at 115Vac input and output Max load.

#### 2.2.6 Hold up time:

10mS Min. at 115Vac input and output Min. Load.

#### 2.2.7 Average Efficiency:

In the regular voltage, The output current is at 25%, 50%, 75% and full load cases, The average efficiency of  $\cong 81.3\%$  ( warm up 30 minutes) , Which meet the standards of energy efficiency level VI.

### 3. Protection Feature

#### 3.1 Output Short circuit protection:

Input voltage 90V/60Hz and 264VAC/50Hz, when the output is full and the electronic load is set to CC mode, when the output is short-circuited and the short circuit lasts for 3 seconds, the input power is less than 3W; when the short circuit is released, the output voltage can be 3 The power supply automatically recovers in seconds.

#### 3.2 Over current Protection:

Input rated voltage, electronic load setting CC mode, OCP current range: 110%-150%, when the output is overcurrent, the product enters the protection state; when the overcurrent is released, the output voltage can be automatically restored within 3 seconds. normal.

### 4. Reliability Requirements

#### 4.1. Burn-in

The power supply shall be burn-in for 2-4 Hours under normal input and 80% rated load at  $40^{\circ}\text{C} \pm 5^{\circ}\text{C}$

#### 4.2. MTBF Qualification

The MTBF shall be at least **20,000**hours at  $25^{\circ}\text{C}$ , Full load and nominal input condition

MODEL NO.:

KYTD45W01A

DESIGNED NO.:

KYTD45W01A

## 5. Environment Requirement

5.1 Operating Temperature: 0°C–35°C

5.2 Storage Temperature: -40°C to 85 °C

5.3 Relative Humidity:

Relative Humidity 25%-90%, Non -Condensing

5.4 Storage Humidity:

Relative Humidity 10%-90%, Non-Condensing

5.5 Vibration

5.5.1. Operating Standard: IEC 721-3-3 3M3

5~9Hz, A=1.5mm 9~200Hz, Acceleration 5m/S

5.5.2. Transportation: IEC 721-3-2 2M2

5~9Hz, A=3.5mm

9~200Hz, Acceleration=5m/S 200~500Hz, Acceleration=15m/S

5.5.3. Axes, 10 cycles per axis:

No permanent damage may occur during testing, and The product can restore to its original situation after power off / on.

5.6 Dropping Packed:

After the Dropping test (1 corner, 1 edges, and 1 surfaces, Height:100cm, 3times), function well.

MODEL NO.:

KYTD45W01A

DESIGNED NO.:

KYTD45W01A

## 6. Safety and EMI Requirement:

### 6.1 Safety: accord with:

certificate	Country	standards	
<input type="checkbox"/> UL/CUL	USA	UL60065	
<input type="checkbox"/> UL/CUL	USA	UL60950	
<input type="checkbox"/> TUV/GS	Europe	EN60065	
<input type="checkbox"/> TUV/GS	Europe	EN60950	
<input type="checkbox"/> FCC	USA	Class B	
<input type="checkbox"/> CE	Europe	EN60065	
<input type="checkbox"/> CE	Europe	EN62368	
<input type="checkbox"/> MEPS	Australia	AS/NZS 4665	
<input type="checkbox"/> SAA	Australia	AS/NZS 60065	
<input type="checkbox"/> SAA	Australia	AS/NZS 60950	
<input type="checkbox"/> CCC	China	GB8898	
<input type="checkbox"/> CCC	China	GB4943	
<input type="checkbox"/> PSE	Japan	J60950 (H22)	
<input type="checkbox"/> CB	Europe	IEC60065	
<input type="checkbox"/> CB	Europe	IEC60950	
<input type="checkbox"/> C-TICK	Australia	AS/NZS CISPR13:2004	
<input type="checkbox"/> EK/KC	Korea	K60065	
<input checked="" type="checkbox"/> EK/KC	Korea	K60950	

• **EMI STANDARD:** Meets the Limits

- Fcc class B rules
- 6.2.2. EN55032 class B rules

### 6.3 Dielectric Strength Testing: Dielectric strength to meet the requirements under the table

6.3.1 HI-POT TEST:	SPECIFICATION	REMARK
<b>Primary to Secondary</b>	<b>3000Vac/5mA/60S</b>	<b>No arcing</b>
<b>Primary to P.G</b>	<b>1500Vac/5mA/60S</b>	<b>No arcing</b>
<b>Secondary to P.G</b>	—	—

Note: before testing, input L/N short circuit, make output positive and negative short circuit and connected.

### 6.3.2. Isolation Test : Input to output 500Vdc/2Sec, isolation resistance > 50M ohm

Note: at the test, input L/N short circuit, make output positive and negative short circuit

MODEL NO.:	KYTD45W01A	DESIGNED NO.:	KYTD45W01A
------------	------------	---------------	------------



## 7. Test Equipment List

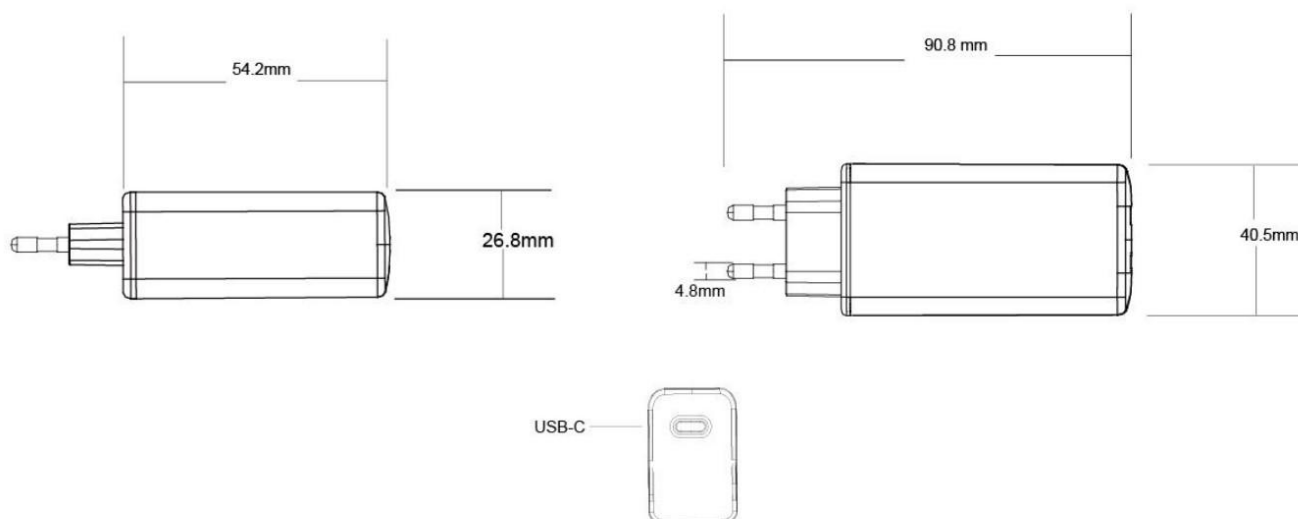
ITEM	Equipment Name	Manufacture	Model
1	AC power source	Chroma	6120
2	Oscilloscope	Tektronix	TDS1002B
3	Electronic load	TET	T3515
4	Multimeter	FLUCK	87III
5	Dynamometer	Chroma	2100
6	hermograph	LUTRON	TW-902C
7	Plug lead bend test machine		LX-817
8	Saltsprayingtester		LX-8827B
9	Vibration table		FZD-25
10	Drop test bed		
11	Digimatic caliper		0-150mm

## 8. MECHANICAL REQUIREMENT:

### 8.1 Enclosure:

The power supply size:  $L * W * H = 90.8\text{mm} * 40.5\text{mm} * 26.8\text{mm}$

:





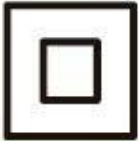
MODEL NO.:

KYTD45W01A

DESIGNED NO.:

KYTD45W01A

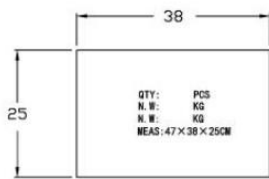
10. label

USB-C PD Adapter	MyKYT <sup>®</sup>	
모 델 명:KYTD45W01A 45W		
정격입력:100-240V~ 50/60Hz 1.2A Max		
정격출력(USB-C):		
(PDO) 5V=3A or 9V=3A or 15V=3A or 20V=2.25A		
(PPS) 3.3-11V=4.05A or 3.3-16V=2.8A or 3.3-21V=2.1A		
인증번호:		
제조년월:		
A/S연락처:		
	MADE IN CHINA	

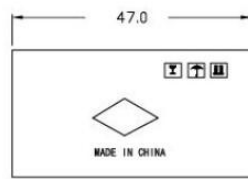
MODEL NO.:	KYTD45W01A	DESIGNED NO.:	KYTD45W01A
------------	------------	---------------	------------

## 12. Package Drawing

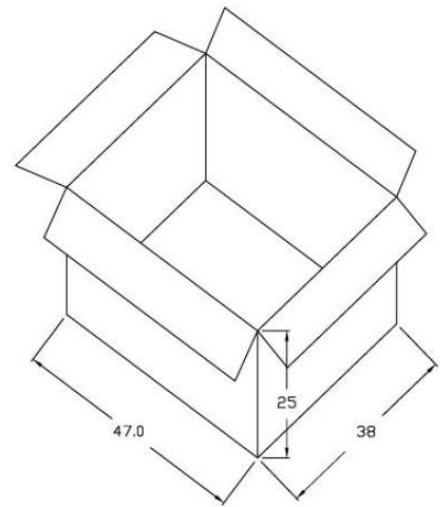
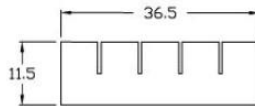
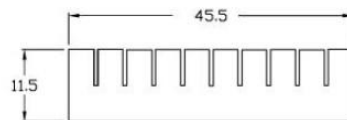
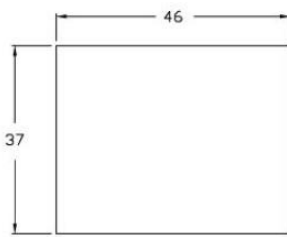
200PCS



侧视



正视



### PACKING:

**Our own packing style will be adopted if no special packing**

**required . a Inner package**

**PO bag**

**b Outer**

**package**

**paper-box.**

**Size: 47×38×25cm, 1sheet 46X37cm**

**c Outer package notes include the information**

**Customer Name, LOT Number, Model No., Date, and so on.**

MODEL NO.:

KYTD45W01A 45W

DESIGNED NO.:

KYTD45W01A