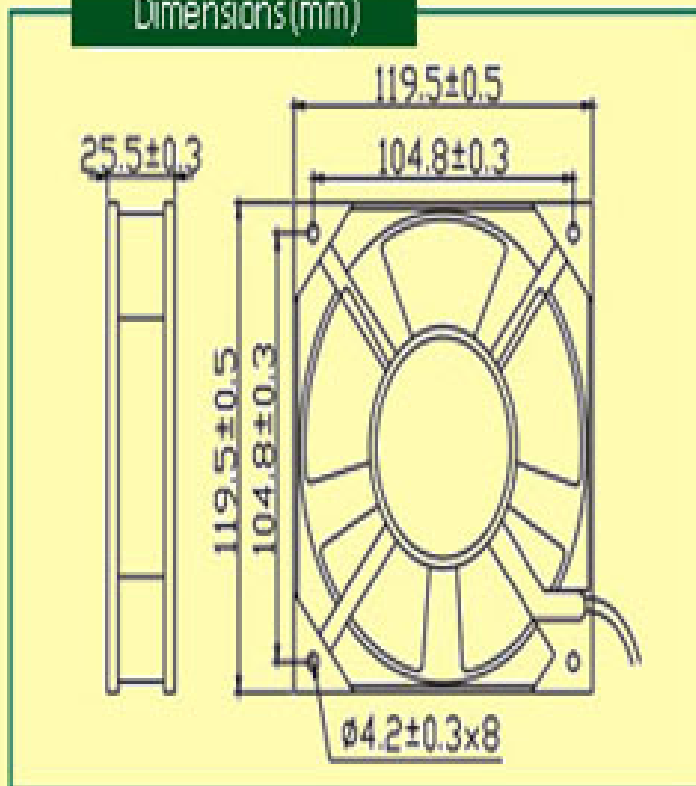


## Specifications

Specifications are subject to change without notice

MODEL	BEARING	RATING VOLTAGE	FREQUENCY	RATING CURRENT	POWER CONSUMPTION	SPEED	AIR FLOW		STATIC PRESSURE	NOISE
		VAC	Hz	A	W	RPM	m <sup>3</sup> /min	CFM	mmH <sub>2</sub> O	dB-A
BT12025B1H BT12025S1H	Ball Sleeve	115	50/60	0.19/0.18	19/18	2200/2400	1.87/2.21	66/78	3.56/4.06	38/40
BT12025B2H BT12025S2H	Ball Sleeve	220/240	50/60	0.09/0.09	19/18	2200/2400	1.87/2.21	66/78	3.56/4.06	38/40

Dimensions(mm)



Performance Curve

