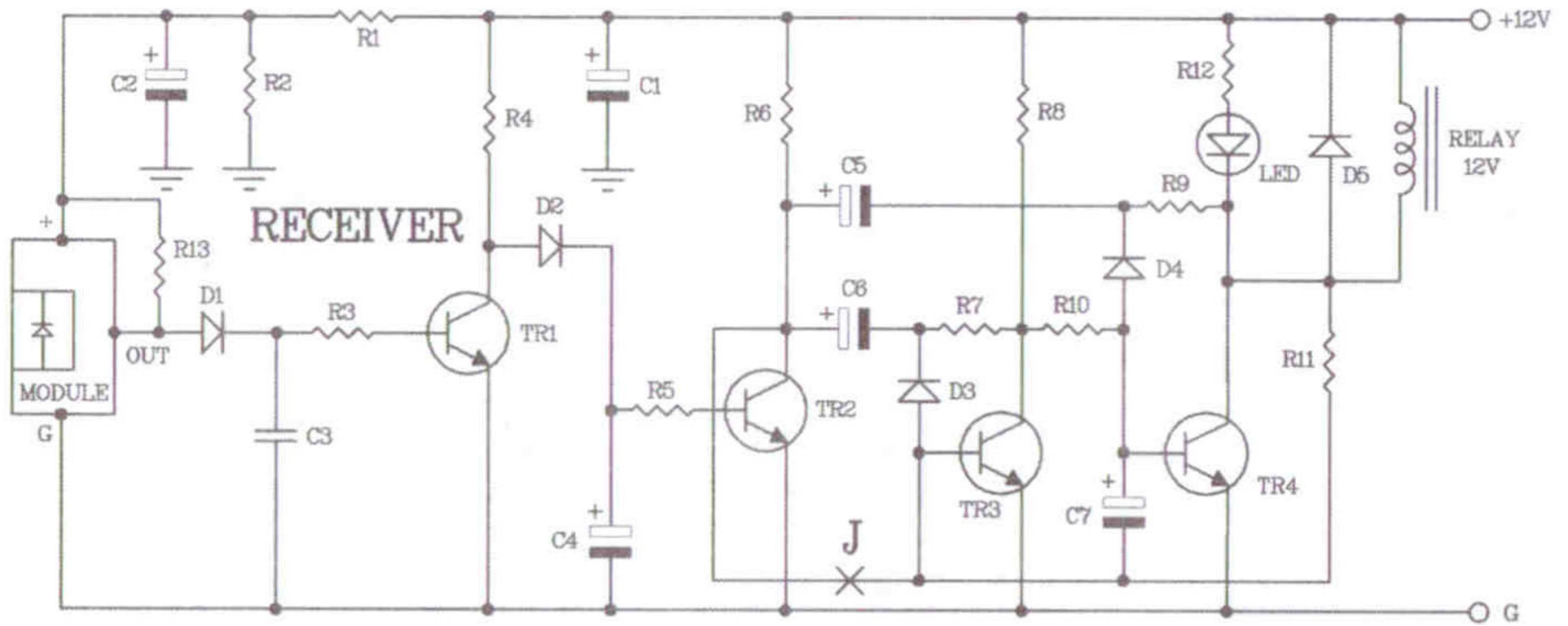


TRANSMISSION



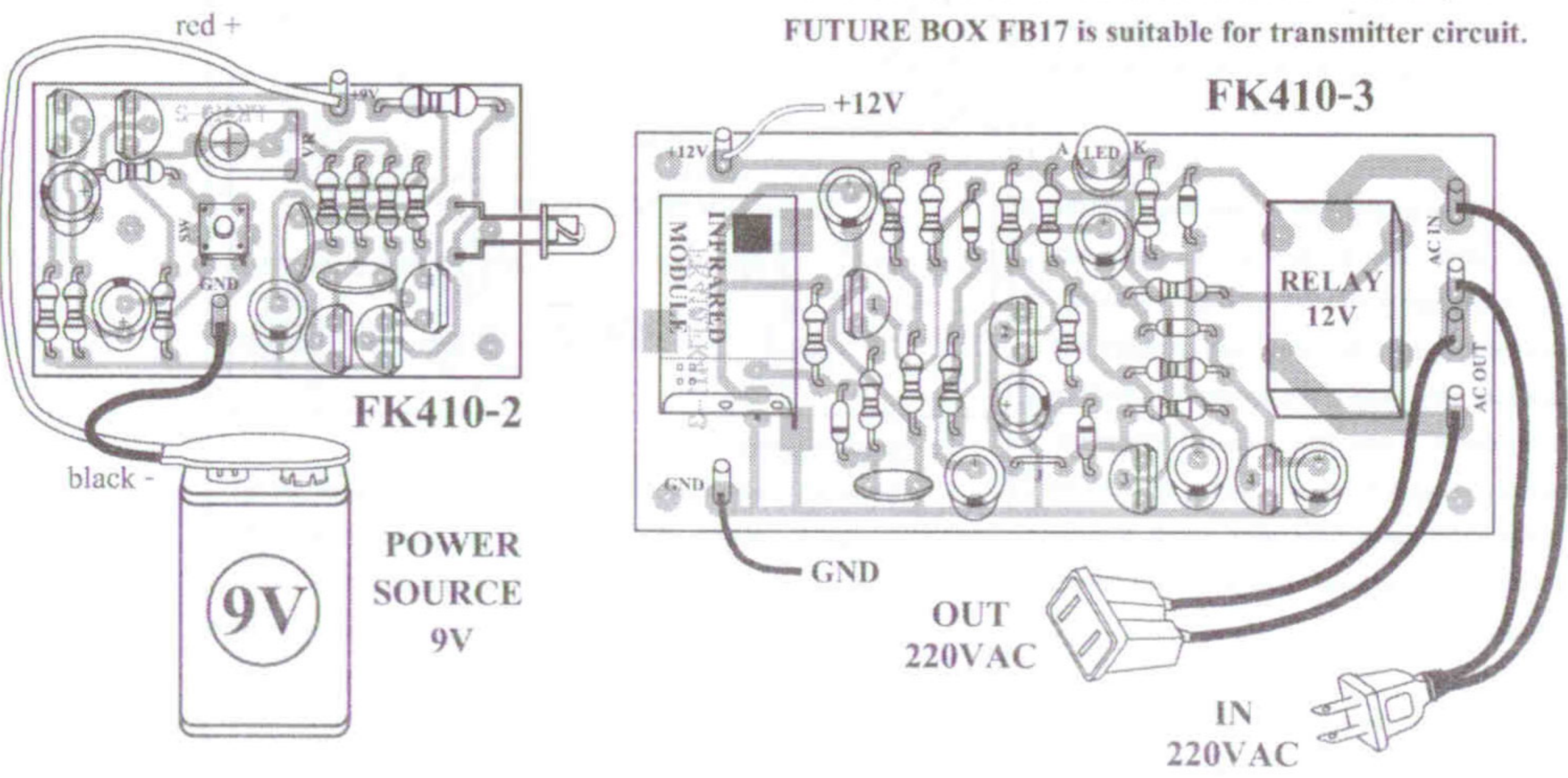
RECEIVER

Figure 2. The infrared remote control 25' 1 ch. circuit

Figure 3. Connections

**NOTE:**

FUTURE BOX FB16 is suitable for receiver circuit.  
 FUTURE BOX FB17 is suitable for transmitter circuit.



FK410-2

FK410-3

POWER SOURCE  
9V

OUT  
220VAC

IN  
220VAC